

FW Series

New!

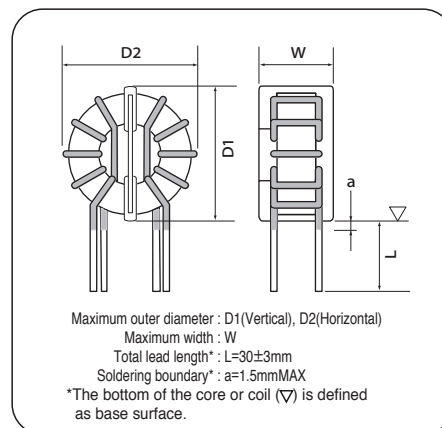


MAJOR USES

- AC/DC Common mode filter

FEATURES

- Greatly improved inductance (10kHz, 100kHz).
- High impedance in wide frequency band.
- Deal with it by rated voltage 700V.
- Conforming to insulating type: B and incombustibility UL94V-0.



CORE STANDARD SPECIFICATIONS

Coil Part No.*1	Core Part No.	Rated voltage [V]	Rated Current [A]	Inductance		D.C.R. mΩ (max)	Winding mm φ × lines	Outside Dimensions		
				10kHz [mH]	100kHz [mH]			D1 [mm]	D2 [mm]	W [mm]
LDFW007652Y6-□0E	F221310	250	7	21.0	6.5	22	1.0 × 1P	29.0	31.0	21.0
LDFW010302Y6-□0E			10	9.7	3.0	11	1.2 × 1P			
LDFW012202Y6-□0E			12	6.5	2.0	7.5	1.3 × 1P			
LDFW008123YV-□0E	F251513	250	8	37.1	11.5	26	1.1 × 1P	30.5	34.0	23.5
LDFW011742YV-□0E			11	23.9	7.4	15	1.3 × 1P			
LDFW013412YV-□0E			13	13.2	4.1	10	1.4 × 1P			
LDFW016362Y8-□0E	F262115	500	16	11.6	3.6	7.5	1.8 × 1P	34.0	37.0	27.5
LDFW023162Y8-□0E			23	5.2	1.6	3.7	2.1 × 1P			
LDFW028102Y8-□0E			28	3.2	1.0	2.5	1.6 × 2P			
LDFW015372YBU□0E	F281815	700	15	11.9	3.7	6.7	1.7 × 1P	36.0	39.5	29.5
LDFW021252YBU□0E			21	8.1	2.5	4.5	1.9 × 1P			
LDFW026152YBU□0E			26	4.8	1.5	2.9	1.5 × 2P			
LDFW016732Y22□0E	F312115	500	16	23.5	7.3	7.9	1.9 × 1P	38.0	43.0	28.5
LDFW020412Y22□0E			20	13.2	4.1	4.9	2.1 × 1P			
LDFW025232Y22□0E			25	7.4	2.3	3.1	1.6 × 2P			
LDFW032142Y22□0E			32	4.5	1.4	1.9	1.8 × 2P			
LDFW020592YJU□0E	F372315	700	20	19.0	5.9	5.7	1.5 × 2P	48.0	50.0	32.5
LDFW027282YJU□0E			27	9.0	2.8	3.1	1.7 × 2P			
LDFW039172YJU□0E			39	5.5	1.7	1.8	2.0 × 2P			
LDFW030392Y28□0E	F443420	600	30	12.6	3.9	3.6	2.0 × 2P	53.0	59.5	39.0
LDFW036262Y28□0E			36	8.4	2.6	2.5	2.2 × 2P			

*1 About Coils Number, □ mark means vertical=V, horizontal=H.

FW Series

New!



For three-phase circuit

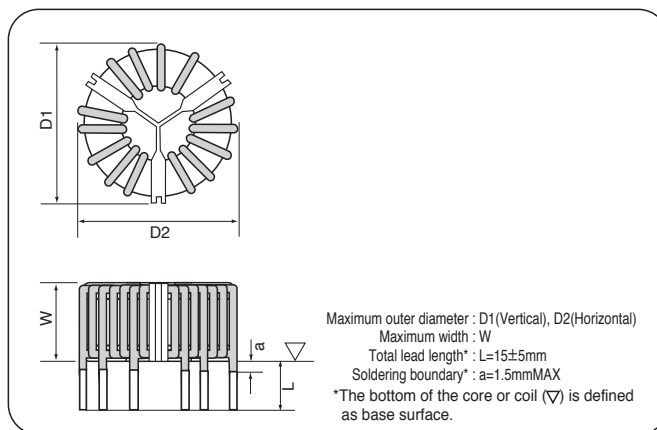
◆ MAJOR USES

- AC/DC Common mode filter

◆ FEATURES

- Greatly improved inductance (10kHz, 100kHz).
- High impedance in wide frequency band.
- Deal with it by rated voltage 500V.
- Conforming to insulating type: B and incombustibility UL94V-0.

◆ CORE STANDARD SPECIFICATIONS



Coil Part No.	Rated Current A	Inductance		D.C.R. mΩ (max)	Winding mm φ × lines	Outside Dimensions		
		10kHz (Typical)	100kHz (Rating)			D1 mm	D2 mm	W mm
		mH	mH					
LDFW010642Y74H0E	10	20.7	6.4	13.0	1.4 × 1P	42.0	42.0	27.5
LDFW015342Y74H0E	15	11.1	3.4	6.6	1.7 × 1P	42.0	42.0	27.5
LDFW020142Y74H0E	20	4.5	1.4	3.1	2.0 × 1P	42.0	42.0	27.5
LDFW015422YJQH0E	15	13.5	4.2	6.4	1.8 × 1P	48.5	48.5	27.5
LDFW020282YJQH0E	20	9.0	2.8	4.5	2.0 × 1P	48.5	48.5	27.5
LDFW025172YJQH0E	25	5.5	1.7	2.6	2.3 × 1P	48.5	48.5	27.5
LDFW030132YJQH0E	30	4.0	1.3	2.0	2.3 × 1P	48.5	48.5	27.5
LDFW020502Y72H0E	20	16.2	5.0	5.6	2.1 × 1P	56.0	56.0	32.0
LDFW025282Y72H0E	25	9.1	2.8	3.6	2.3 × 1P	56.0	56.0	32.0
LDFW030172Y72H0E	30	5.5	1.7	2.4	1.8 × 2P	56.0	56.0	32.0
LDFW035132Y72H0E	35	4.0	1.3	1.7	2.0 × 2P	56.0	56.0	32.0
LDFW030332Y73H0E	30	10.6	3.3	4.0	2.0 × 2P	65.0	65.0	35.0
LDFW035222Y73H0E	35	7.1	2.2	2.3	2.1 × 2P	65.0	65.0	35.0
LDFW040172Y73H0E	40	5.6	1.7	1.9	2.2 × 2P	65.0	65.0	35.0
LDFW050102Y73H0E	50	3.2	1.0	1.2	2.4 × 2P	65.0	65.0	35.0

FW Series

New!



◆ MAJOR USES

- Common mode noise filter for AC/DC
- Zero-phase reactor

◆ FEATURES

- Greatly improved inductance (10kHz, 100kHz).
- Conforming to insulating type: B and incombustibility UL94V-0.



◆ CORE STANDARD SPECIFICATIONS

Core Part No.	Cross Sectional Area cm ²	Magnetic Path Length cm	Weight g	Nominal dimensions			Inductance Coefficient (AL Value) [μH] 100kHz at 0A
				φD mm	φd mm	W mm	
LRF251510MKDX	0.41	6.38	21	28.3	12.7	12.3	25.9
LRF251515MKDX	0.63	6.38	32	28.3	12.7	17.5	39.2
LRF322015MKDX	0.69	8.09	60	35.2	17.5	17.3	33.1
LRF372315MKDX	0.83	9.33	80	40.5	19.5	18.0	35.6
LRF462715MKDX	1.14	11.47	98	49.4	22.7	18.0	38.7
LRF462725MKDX	1.90	11.47	162	49.4	22.7	28.0	64.6
LRF624520MKDX	1.36	16.81	173	66.0	41.0	24.0	32.3